

Eclipse #9400WCA Automatic Flushing Station

www.hydrants.com

Lockable UV Resistant Cover

9-volt battery operated controller

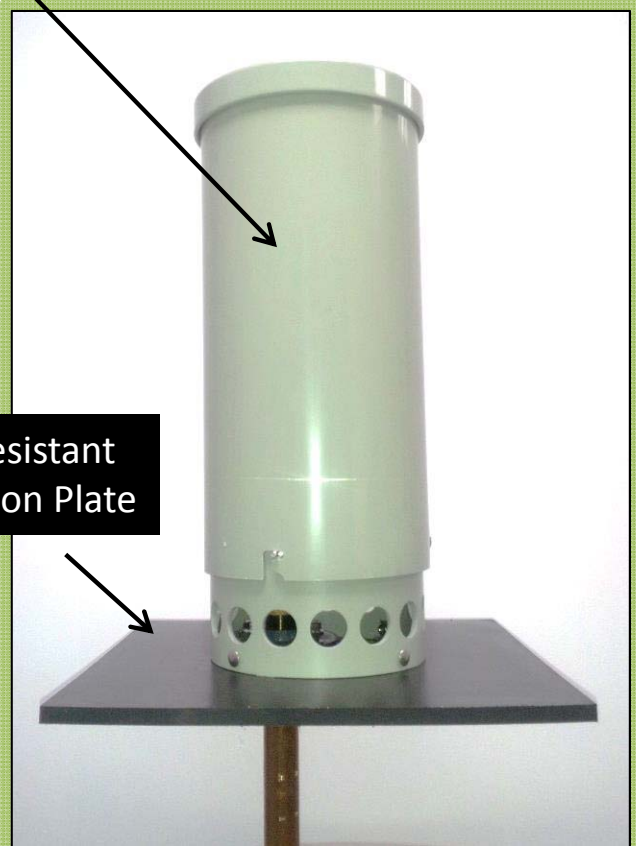
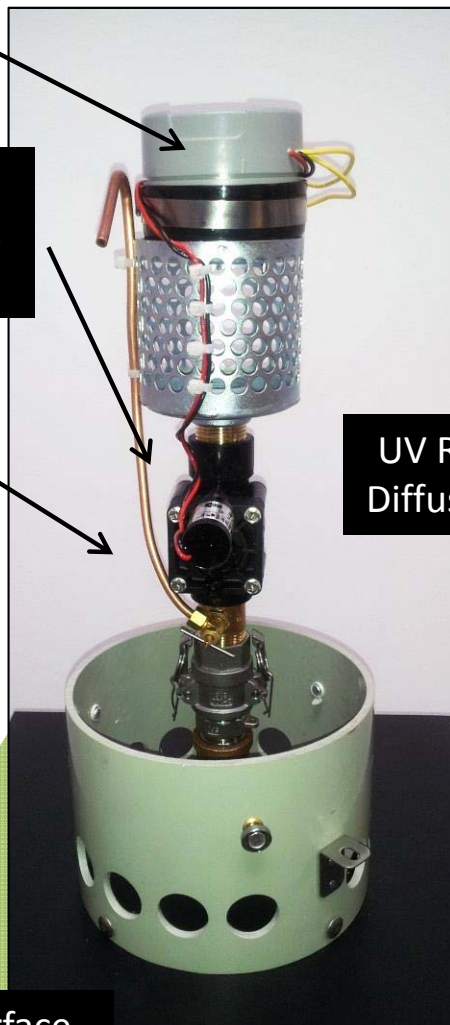
1" Solenoid-Operated Diaphragm Valve flushes up to 60 gpm

Double Valve Sampling Bibb

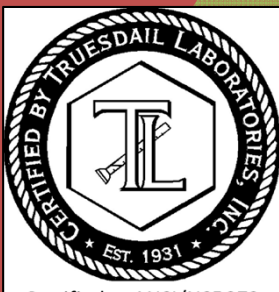
UV Resistant Diffusion Plate



Surface Discharge



Controller operates on 9-volt battery (2) and can run up to 12 cycles per day / 6 hours per cycle



Certified to ANSI/NSF 372



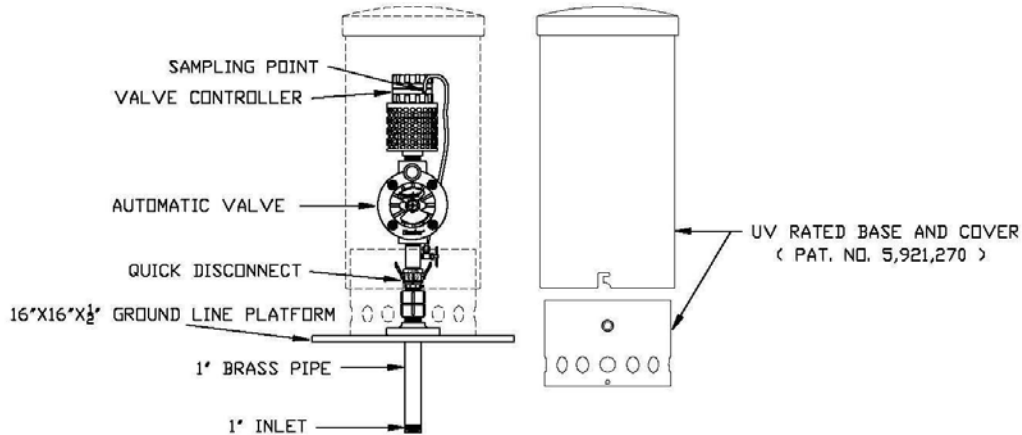
Kupferle Videos




www.youtube.com/kupferle1857

800-231-3990

#9400WC-A AUTOMATIC 1" FLUSHING DEVICE (WARM CLIMATE)



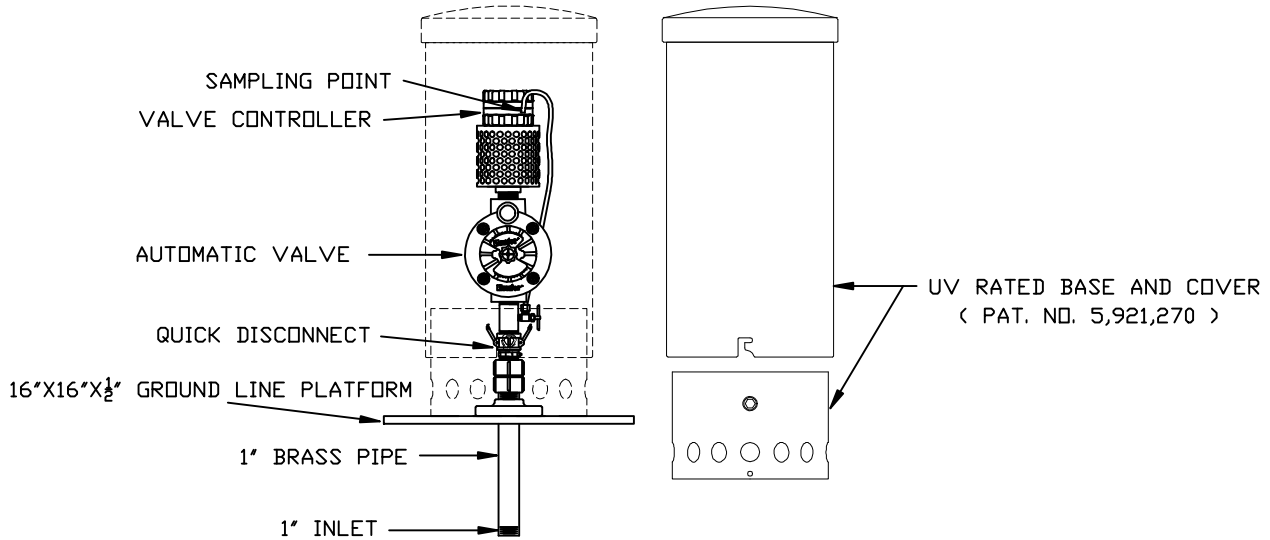
Automatic flushing device shall have a 1" brass MIP inlet, leading vertically through a UV resistant ground plate, a mounting flange, and attaching to a plastic sch 80 traffic break-away coupling. A 1" aluminum quick disconnect device shall be located above the traffic coupling, leading into the 1" automatic valve. Automatic solenoid valve shall be located above ground for easy access and have a 150 PSI rating. Valve controller will not require a second hand-held device for programming, must have a minimum of 12 possible flushing cycles per day at up to 6 hours of flush per cycle. Shall be submersible to 12 feet, operate with a 9 volt battery (compartment holds two batteries), have resin-sealed electrical components, and shall be located above water flow. Solenoid shall have no loose parts when removed from valve. Valve, solenoid, and controller shall have rubber caps for added protection. Each unit shall have a single-valve, all brass sampling point. Water shall exit unit horizontally through holes located near ground line. All above-ground components shall be contained within a uv-resistant locking domed cover, as manufactured by Kupferle Foundry Company, St. Louis, Mo. 1-800-231-3990, www.hydrants.com, model 9400WC-A or approved equal.

| | | | |
|------|----------|---|---|
| | | |  KUPFERLE FOUNDRY COMPANY 2511 NORTH 8TH STREET, ST. LOUIS, MO 63102 314-231-8738 800-231-3990 FAX 314-231-2820 http://www.hydrants.com |
| | | DRAWN F.M. APPROVED DATE 10-19-12 MAT'L | |
| | | THIS DRAWING IS THE PROPERTY OF THE KUPFERLE FOUNDRY COMPANY. IT IS NOT TO BE USED OR DUPLICATED WITHOUT PERMISSION OF THE OWNER. | |
| DATE | REVISION | PART NO. #9400WC-A AUTOMATIC FLUSHING DEVICE | |



2511 North 9th Street
 St. Louis, MO 63102
800-231-3990
www.hydrants.com
info@hydrants.com

#9400WC-A AUTOMATIC 1" FLUSHING DEVICE (WARM CLIMATE)



Automatic flushing device shall have a 1" brass MIP inlet, leading vertically through a UV resistant ground plate, a mounting flange, and attaching to a plastic sch 80 traffic break-away coupling. A 1" aluminum quick disconnect device shall be located above the traffic coupling, leading into the 1" automatic valve. Automatic solenoid valve shall be located above ground for easy access and have a 150 PSI rating. Valve controller will not require a second hand-held device for programming, must have a minimum of 12 possible flushing cycles per day at up to 6 hours of flush per cycle. Shall be submersible to 12 feet, operate with a 9 volt battery (compartment holds two batteries), have resin-sealed electrical components, and shall be located above water flow. Solenoid shall have no loose parts when removed from valve. Valve, solenoid, and controller shall have rubber caps for added protection. Each unit shall have a single-valve, all brass sampling point. Water shall exit unit horizontally through holes located near ground line. All above-ground components shall be contained within a uv-resistant locking domed cover, as manufactured by Kupferle Foundry Company, St. Louis, Mo. 1-800-231-3990, www.hydrants.com, model 9400WC-A or approved equal.


| DATE | REVISION |
|------|----------|
| | |
| | |
| | |

THIS DRAWING IS THE PROPERTY OF THE KUPFERLE FOUNDRY COMPANY. IT IS NOT TO BE USED OR DUPLICATED WITHOUT PERMISSION OF THE OWNER.

PART NO. #9400WC-A AUTOMATIC FLUSHING DEVICE

DRAWN
F.M.
APPROVED
DATE
10-19-12
MAT'L

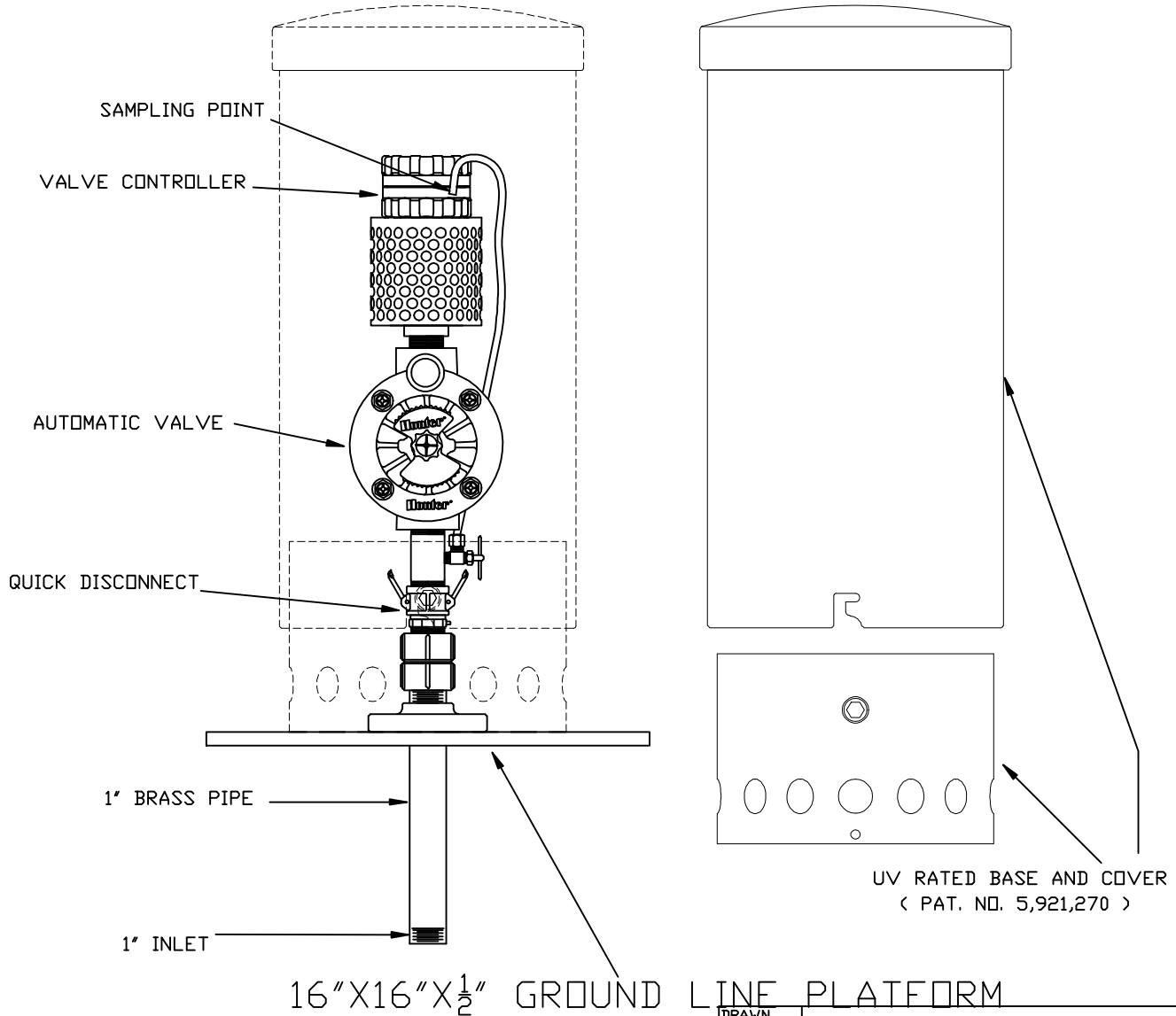
ECLIPSE
Since 1867



KUPFERLE FOUNDRY COMPANY

2511 NORTH 9TH STREET, ST. LOUIS, MO 63102
314-231-8738 800-231-3990 FAX 314-231-2820
<http://www.hydrants.com>

#9400WC-A AUTOMATIC 1" FLUSHING DEVICE (WARM CLIMATE)



| DATE | REVISION |
|------|----------|
| | |
| | |
| | |

THIS DRAWING IS THE PROPERTY OF THE KUPFERLE FOUNDRY COMPANY. IT IS NOT TO BE USED OR DUPLICATED WITHOUT PERMISSION OF THE OWNER.

PART NO. #9400WC-A AUTOMATIC FLUSHING DEVICE

| | |
|----------|----------|
| DRAWN | F.M. |
| APPROVED | |
| DATE | 12-19-12 |
| MAT'L | |

ECLIPSE
Since 1867

KUPFERLE FOUNDRY COMPANY

2511 NORTH 9TH STREET, ST. LOUIS, MO 63102
314-231-8738 800-231-3090 FAX 314-231-2820
<http://www.hydrants.com>